

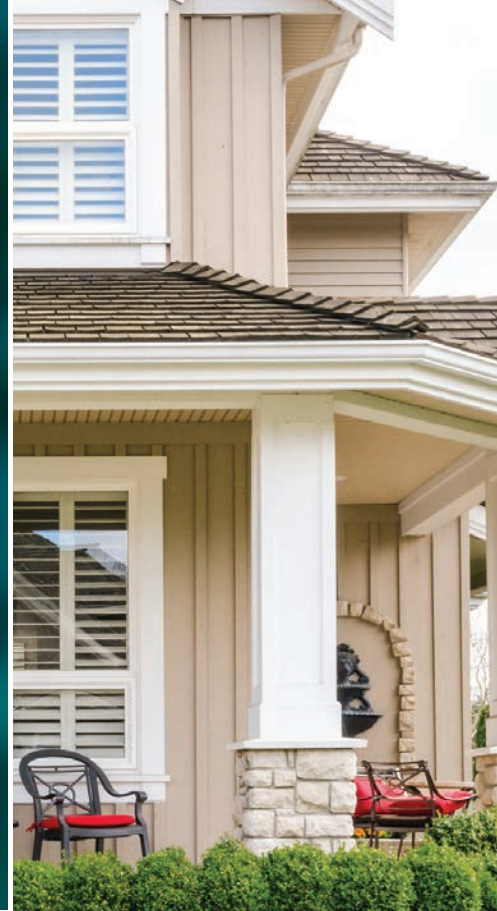
Board & Batten

VERTICAL VINYL SIDING

DESIGNED TO MAKE
YOUR HOME STAND OUT!

 **NORANDEX™**

VINYL SIDING, SOFFIT & ACCESSORIES



THE LOOK OF WOOD, THE VALUE OF VINYL

FEATURES AND BENEFITS



.052" Panel thickness, 7" panel exposure and a cedar grain pattern

A 1/2" panel projection provides rigidity and casts deep, appealing shadow lines



The extra thick panel combined with a heavy duty lock ensure a safe secure installation



COLORHOLD®
Lifetime Fade Protection

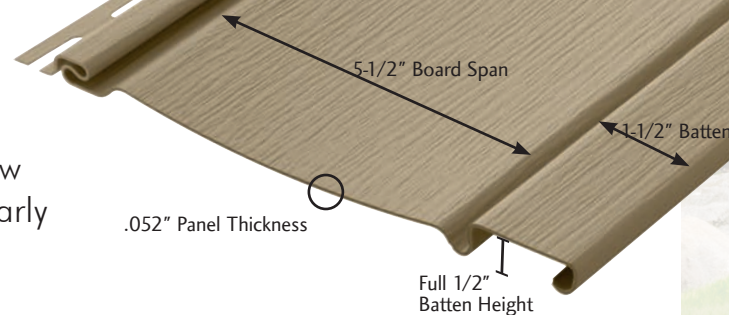
ColorHold is a highly-durable capstock that resists fading and discoloring and is backed by a Limited Lifetime Transferable Warranty* including Lifetime Fade Protection
*Visit www.norandex.com to view warranty details



Matching and contrasting soffit, accessories, shakes and shingles available to give your home a one-of-a-kind look

7" PROFILE

The wide flat board is accentuated with a narrow batten for an authentic early American look



Make Board & Batten Vertical Vinyl Siding the choice for the life of your home.

- Virtually maintenance free. Save time and money on upkeep costs.
- Because it's solid vinyl, it won't blister, crack, flake, peel or rot like wood exteriors.
- A sound investment that can help increase the resale value of your home.

• 7" PROFILE

DESIGNER COLLECTION

A beautiful collection of darker, richer colors with tremendous curb appeal, providing a real value for homeowners seeking a unique darker finish that stands out and stands apart from others in the neighborhood.

Color Shown: Sandstone



19 BEAUTIFUL COLORS

WHITE	FIREBRICK DESIGNER COLLECTION	SEAPORT DESIGNER COLLECTION
LINEN	CACTUS	STEEL BLUE DESIGNER COLLECTION
CHAMPAGNE	MYRTLE DESIGNER COLLECTION	DEEP WATER DESIGNER COLLECTION
SIERRA PREMIUM	SMOKE PREMIUM	GRAPHITE DESIGNER COLLECTION
SANDSTONE	GRANITE PREMIUM	CARBON BROWN DESIGNER COLLECTION
MOCHA PREMIUM	SILVER	MAVERICK BROWN DESIGNER COLLECTION
RUSSET DESIGNER COLLECTION		

Colors are mechanically reproduced. For color accuracy, please see actual product sample.



COMPLEMENT YOUR NEW SIDING WITH OTHER QUALITY EXTERIOR PRODUCTS



Your home deserves the best. That's why, in addition to siding, we offer other top quality products to beautify and protect your home. Whether it's entry doors, energy-efficient windows, soffit, trim, or metals, you can rest comfortably knowing you've finished your home with performance products that are among the best the industry has to offer.



VINYL SIDING, SOFFIT & ACCESSORIES

1-800-528-0942

www.norandex.com